

# NF 1.5" SERIES

## For Light Commercial Applications



### TWIN ALTERNATING WATER CONDITIONING SYSTEM

The Hellenbrand NF Water Conditioning System is designed for use where there is a continuous twenty-four hour demand for conditioned water or where day-to-day water usage is so variable, that even a single tank metering system cannot guarantee conditioned water efficiently.

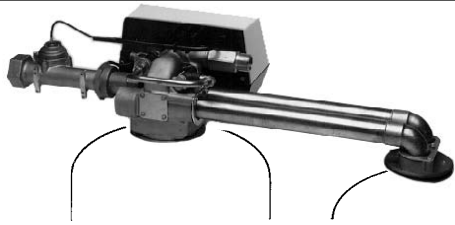
#### THE NF-SERIES GIVES YOU MORE

1. One control valve operates both tanks and provides better flow rates.
2. Takes less time and space to install.
3. Provides softened water 24 hours per day on demand with 1-1/2" flow meter.
4. Uses soft water to regenerate.
5. There are no time clocks to set or day pins to worry about.
6. Electricity is only used during regeneration.
7. Manufactured and tested accordingly to Water Quality Association Voluntary Industry Standards.

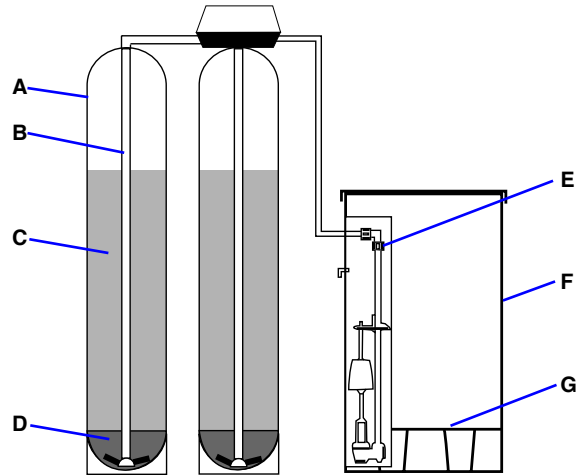
#### APPLICATIONS

Apartment Buildings	Households
Boiler Treatment	Laundries
Car Washes	Motels and Hotels
Clubs	Nursing and Rest Homes
Commercial Buildings	Office Buildings
Condominiums	Restaurants
Factories	R.O. Pre-Treatment
Hospitals	Schools

**Hellenbrand**<sup>®</sup>



- 1) The control valve and second tank adapter are solid brass assuring you durability and long life.
- 2) Two self cleaning teflon coated pistons control the regeneration and alternating from unit to unit with conditioned water. They are hydraulically balanced to equalize pressure on both sides of the piston, allowing it to shift smoothly and quietly regardless of water pressure. Large plastic spacers and rubber seals protect the pistons from sediment in water and improve service flow rates.
- 3) The 1.5" meter allows for capacities from 625 to 53,125 gallons between regenerations and will measure flow rates accurately between 1.5 and 75 gpm. The 1.5" low flow meter allows for capacities from 310 to 26,350 gallons between regenerations and will measure flow rates accurately between 0.7 and 40 gpm.
- 4) The NF-SERIES timer doesn't require a time of day setting since it adjusts automatically to meet your needs. Regeneration can take place as often as every 90 minutes if needed.
- 5) The NF-SERIES has an adjustable cycle programmer. This allows you to efficiently monitor all regeneration cycles including backwash, brine and slow rinse, rapid rinse and brine tank refill.
- 6) In addition to regenerating with soft water, the NF-SERIES uses electricity only during regeneration, therefore power outages do not affect metering. A convenient cycle position readout dial indicates which unit is in service and the status of the other unit. It has no complicated interlock wiring and costs less to install.



- A) Fiberglass and polyglass mineral tanks provide rust and corrosion free service for years. National Sanitation Foundation approved.
- B) 1.5" high flow hub & lateral distribution system for minimal pressure loss.
- C) Hi-Capacity Cation resin has uniform and stable resin beads assuring long life and maximum soft water.
- D) Gravel underbedding assures full usage of mineral beds and allows for a smooth and constant water flow for service and regeneration.
- E) Safety brine valve acts as a secondary shut-off in case of a power failure during regeneration.
- F) High density polyethylene brine tank has exceptional environmental stress crack properties, eliminating cracking and minimizing bulging.
- G) Polypropylene salt grid allows insoluble materials to settle out.

## NF-SERIES Specifications

MODEL NAME	RESIN CU. FT.	CAPACITY			SERVICE FLOW RATE CONT. 15 PSI	FLOW RATE PEAK 25 PSI	BACKWASH RATE GPM	MINERAL TANKS (INCHES)	BRINE TANK SIZE (INCHES)	SALT STORAGE (POUNDS)	SHIPPING WEIGHT (POUNDS)	INLET/OUTLET HEIGHT (INCHES)
		LOW SALT GRAINS/LBS	MED. SALT GRAINS/LBS	HIGH SALT GRAINS/LBS								
NF-60	2.0	38,000/12	56,000/20	64,000/30	23.0	32.0	3.5	13 x 54	18 x 40	375	404	57.5
NF-90	3.0	57,000/18	84,000/30	96,000/45	22.0	30.0	4.0	14 x 65	18 x 40	375	539	68.5
NF-120	4.0	76,000/24	112,000/40	128,000/60	25.0	34.0	5.0	16 x 65	24 x 41	525	677	68.5
NF-150-18	5.0	95,000/30	140,000/50	160,000/75	27.0	37.0	7.0	18 x 65	24 x 50	510	832	70.5
NF-150-21	5.0	95,000/30	140,000/50	160,000/75	31.0	41.0	9.0	21 x 62	24 x 50	510	946	70.5
NF-180-18	6.0	114,000/36	168,000/60	192,000/90	26.0	35.0	7.0	18 x 65	24 x 50	510	938	70.5
NF-180-21	6.0	114,000/36	168,000/60	192,000/90	30.0	40.0	9.0	21 x 62	24 x 50	510	1052	70.5
NF-210	7.0	133,000/42	196,000/70	224,000/105	29.0	39.0	9.0	21 x 62	24 x 50	510	1158	70.5
NF-240	8.0	152,000/48	224,000/80	256,000/120	32.0	42.0	12.0	24 x 72	24 x 50	340	1332	78.0
NF-270	9.0	171,000/54	252,000/90	288,000/135	31.0	41.0	12.0	24 x 72	24 x 50	340	1438	78.0
NF-300	10.0	190,000/60	280,000/100	320,000/150	30.0	40.0	12.0	24 x 72	24 x 50	340	1544	78.0

- Cubic feet of mineral and capacities as seen above are per mineral tank.
- Service flow ratings are with the 1.5" meter.
- Limit of 2 ppm of ferrous iron. Add 3 grains of hardness per ppm of iron when sizing.
- See owners manual for specific operating details
- These conditioners will not purify or make your water safe to drink.
- Inlet/outlet heights are approximate only.

- Product improvements and design changes subject to change without notice.
- Water Pressure 30 - 100 psi.
- Water temperature is not to exceed 110°F and cannot be subject to freezing conditions.
- Refer to Hellenbrand Bulletin 2050 "Flow Rates and Soft Water Quality (Hardness Leakage) if your application requires that levels of hardness leakage do not exceed "x".

### Meter Information:

Meter Accuracy Range	1-1/2" (Standard)	1.5 - 75 gpm ± 5%
	1-1/2" (Low Flow)	0.7 - 40 gpm ± 5%
Meter Capacity Range	1-1/2" (Standard)	Standard: 625-10,625 gals.
		Extended: 3,125 - 53,125 gals.
	1-1/2" (Low Flow)	Standard: 310 - 5,270 gals.
		Extended: 1,550 - 26,350 gals.



Manufactured by:  
**HELLENBRAND, INC.**  
 (800) 626-1417  
 www.hellenbrand.com

**DEALER NAME:**



106610  
 1/05-500  
 1/21/09-LBRY